

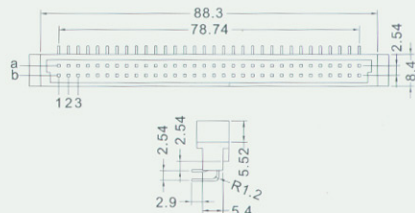
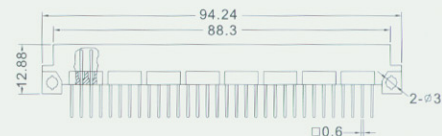
# 144 series

## DIN41612 B TYPE(2ROWS)

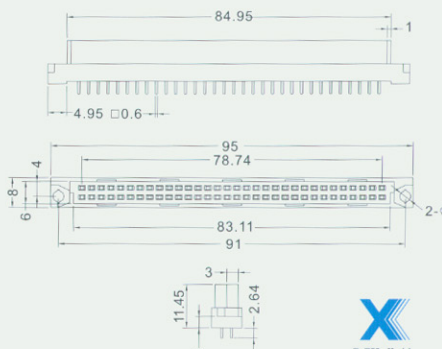
Pitch	Position	Rows with Contacts
2.54mm	64	ab
	32	a-
5.08mm	32	ab
	16	a-

X Length	1	2	W1	W2
	Male	2.9mm		
Female	4.0mm		13mm	17mm

[ MALE ]

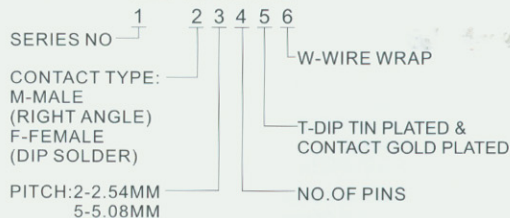


[ FEMALE ]



### How To Order

144 F 2 64 T W



### Specifications:

Contact Resistance: 30mΩ max.at DC 100 mA  
Insulator Resistance: 1000MΩ min.at DC 500V  
Current Rating: 2AMP

### Dielectric Withstanding

Voltage: AC 1000V For 1 minute  
Operating Temperature: -55° C--+105° C  
Contact: Male Brass  
Female Phosphor Bronze  
Housing: PBT &30% Glass Fiber(UL 94V-0)