

# 147 series

DIN41612 R TYPE(3 ROWS)

Pitch	Position	Rows with Contacts
2.54mm	96	abc
	64	a-c
5.08mm	48	abc
	32	a-c

X Length	1	2	W1	W2
Male	2.9mm			
Female	4.0mm		13mm	17mm

## Specifications:

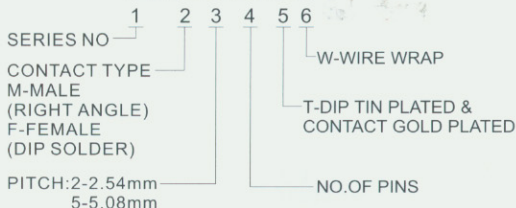
Contact Resistance: 30mΩ max.at DC 100 mA  
 Insulator Resistance: 1000MΩ min.at DC 500V  
 Current Rating: 2AMP

## Dielectric Withstanding

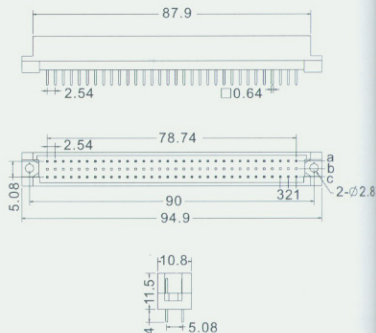
Voltage: AC 1000V For 1 minute  
 Operating Temperature:-55° C--+105° C  
 Contact: Male Brass  
           Female Phosphor Bronze  
 Housing: PBT &30% Glass Fiber(UL 94V-0)

## How To Order

147 F 2 64 T W



## [ MALE ]



## [ FEMALE ]

