

148 series

DIN41612 B/2 TYPE(2ROWS)

Pitch	Position	Rows with Contacts
2.54mm	32	ab
	16	a-
5.08mm	16	ab
	8	a-

X Length	1	2	W1	W2
Male	2.9mm			
Female	4.0mm		13mm	17mm

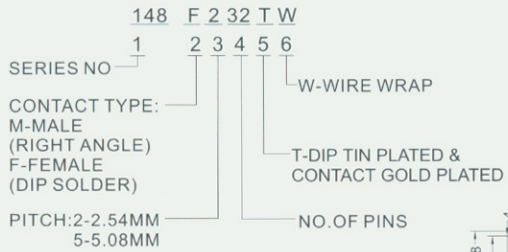
Specifications:

Contact Resistance: 30mΩ max.at DC 100 mA
 Insulator Resistance: 1000MΩ min.at DC 500V
 Current Rating: 2AMP

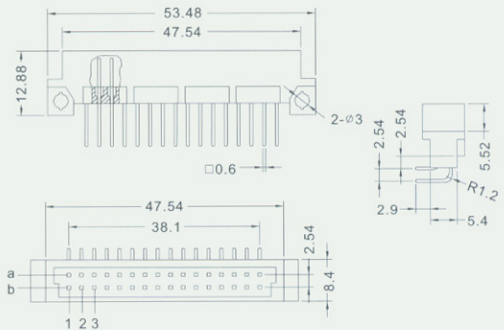
Dielectric Withstanding

Voltage: AC 1000V For 1 minute
 Operating Temperature: -55° C--+105° C
 Contact: Male Brass
 Female Phosphor Bronze
 Housing: PBT &30% Glass Fiber(UL 94V-0)

How To Order



[MALE]



[FEMALE]

