

149 series

DIN41612 C/2 TYPE(3ROWS)

Pitch	Position	Rows with Contacts
2.54mm	96	abc
	64	a-c
5.08mm	48	abc
	32	a-c

X Length	1	2	W1	W2
Male	2.9mm			
Female	4.0mm	13mm	17mm	

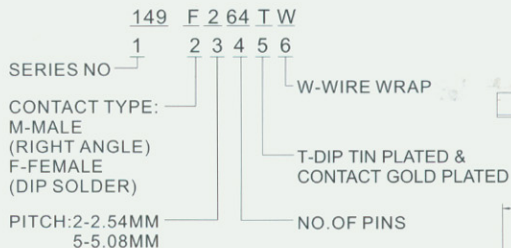
Specifications:

Contact Resistance: 30m Ω max.at DC 100 mA
 Insulator Resistance: 1000M Ω min.at DC 500V
 Current Rating: 2AMP

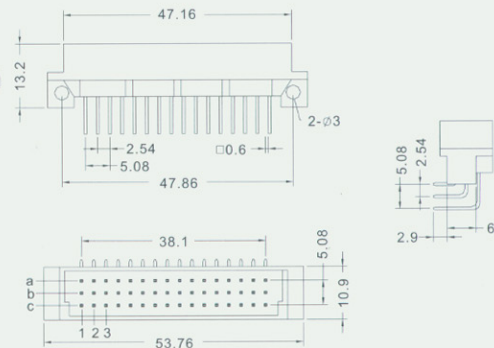
Dielectric Withstanding

Voltage: AC 1000V For 1 minute
 Operating Temperature:-55° C--+105° C
 Contact: Male Brass
 Female phosphor Bronze
 Housing: PBT & 30% Glass Fiber(UL 94V-0)

How To Order



[MALE]



[FEMALE]

