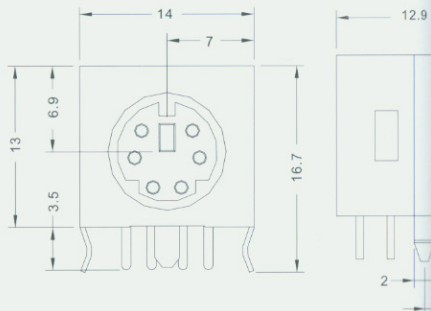


155 series

MINI DIN TYPE



Specification:

Contact Resistance: 30m Ω max

Insulator Resistance: 1000M Ω min.at DC 500V

Current Rating: 1AMP

Voltage Rating: 30V AC

Dielectric Withstanding:

Contact: Phosphor Bronze

Voltage: AC 500V For 1minute

Housing: PBT&30% Glass Fiber (UL 94V-0)

How To Order

155 - W 1 03

1 2 3 4

SERIES NO

COLOR OF HOUSING
(K-BLACK, W-WHITE)

PLATING:
1-NI
2-TIN-LEAD

GOLD PLATING:
(03-AU3 μ" ,30-AU30 μ")

