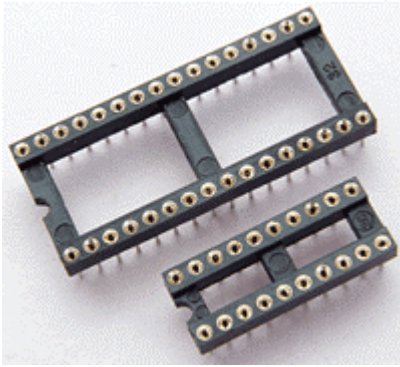


DS1001 SERIES



MATERIAL

Insulator: Thermoplastic {UL 94V-0}

Contact: Copper Alloy

Contact Plated: See ordering information

SPECIFICATION

Storage Temperature: -20-70°C

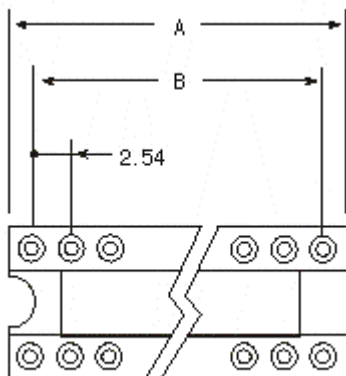
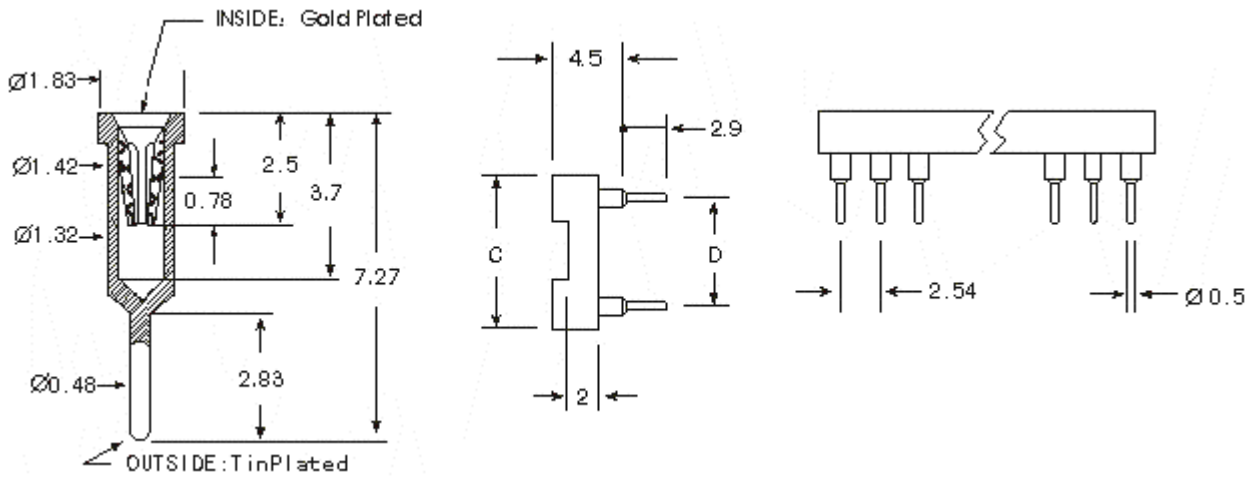
Operating Temperature: 0-85°C

Contact Resistance: 20m Ω max. (initial)

Insulation Resistance: 1,000M Ω min

Dielectric Withstanding

Voltage: AC1,000V per minute



Position	Dimension			
	A	B	C	D
06	7.60	5.08	10.14	7.62
08	10.16	7.62	10.16	7.62
14	17.16	15.24	10.16	7.62
16	20.32	17.78	10.16	7.62
18	22.86	20.32	10.16	7.62
20	25.40	22.86	10.16	7.62
24	30.48	27.94	10.16	7.62
28	35.56	33.02	10.16	7.62
24	30.48	27.94	17.78	15.24
28	35.56	33.02	17.78	15.24
32	40.62	38.10	17.78	15.24
40	50.80	48.26	17.78	15.24

Ordering Information

