

DS1002 SERIES



MATERIAL

Insulator: Thermoplastic {UL 94V-0}

Contact: Copper Alloy

Contact Plated: See ordering information

SPECIFICATION

Storage Temperature: -20-70 °C

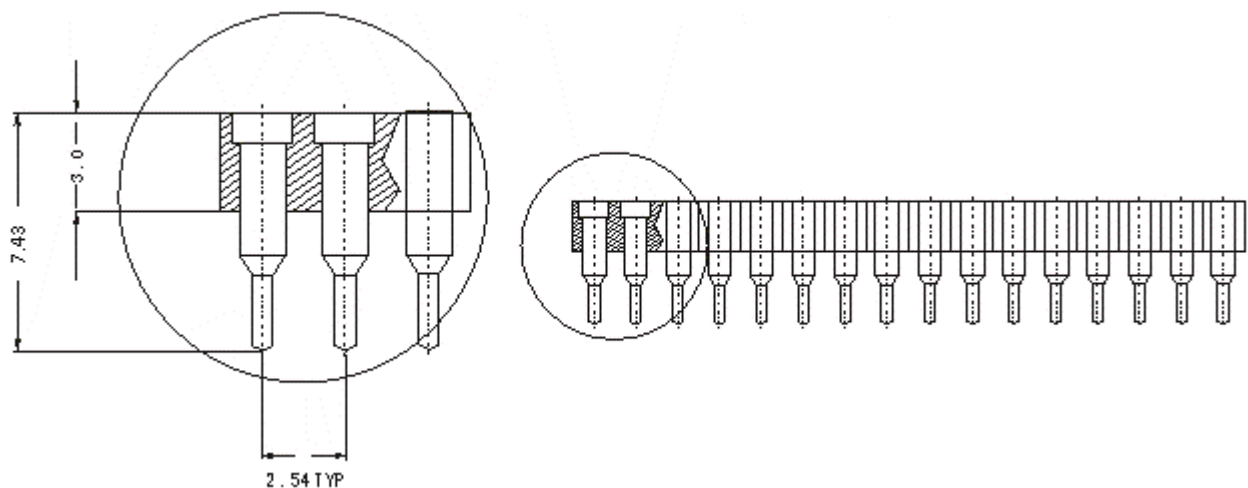
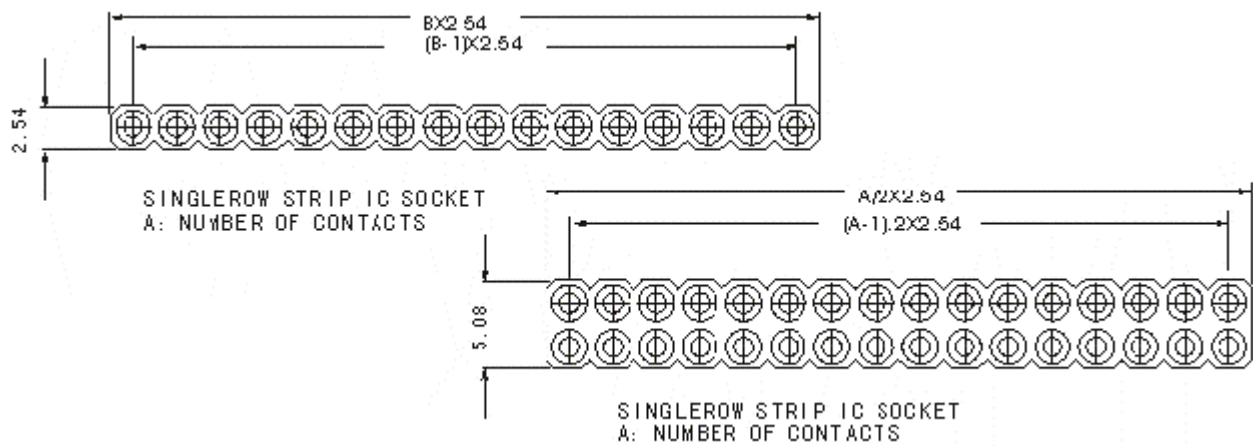
Operating Temperature: 0-85 °C

Contact Resistance: 20m Ω max. (initial)

Insulation Resistance: 1,000M Ω min

Dielectric Withstanding

Voltage: AC 1,000V per minute



Ordering Information

Series No.

DS1002

No. of
Contacts

40

S- Single row(02-40)
D- Dual row(04-80)

Contact
Type

B

B: 4 Fingers

Terminal Outer
Plating

T1

T1 100 μ " MinSn/Poverall
50 μ " Niunderplate

Terminal Outer
Plating

F6

F6: 3 μ " Gold

Mounting
Type

S

S: Straight, Dip
R: R/A, Dip