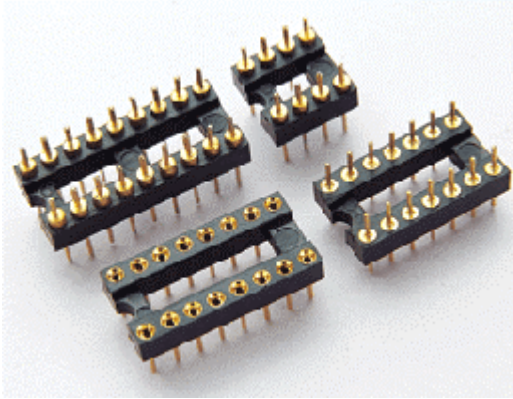


DS1003 SERIES

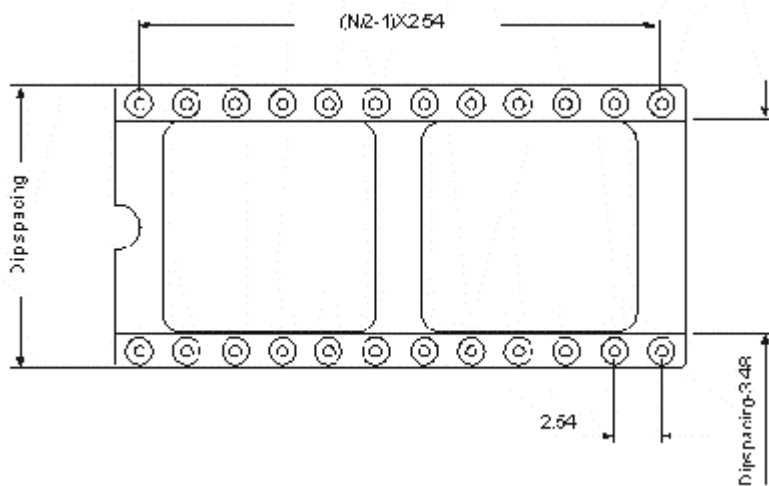
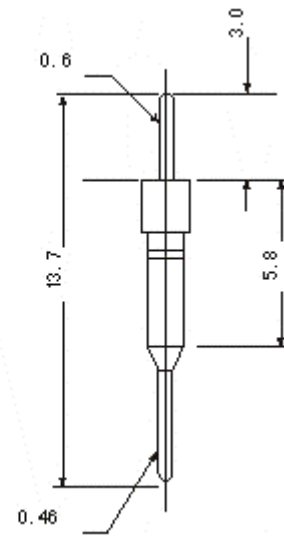
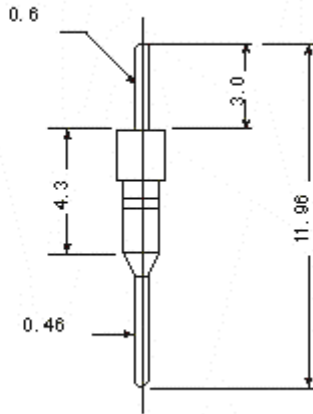
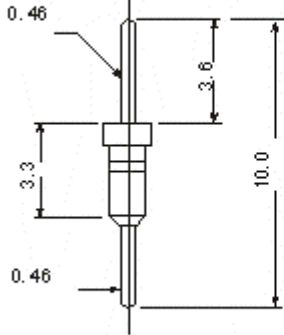


MATERIAL

Insulator: Thermoplastic {UL 94V-0}
 Color: See ordering information
 Contact: Copper Alloy
 Contact Plated: See ordering information

SPECIFICATION

Storage Temperature: -20-70°C
 Operating Temperature: 0-85°C
 Contact Resistance: 20m Ω max.(initial)
 Insulation Resistance: 1,000M Ω min
 Dielectric Withstanding Voltage: AC1,000V per minute



Position	Dimension			
	A	B	C	D
06	7.60	5.08	10.14	7.62
08	10.16	7.62	10.16	7.62
14	17.16	15.24	10.16	7.62
16	20.32	17.78	10.16	7.62
18	22.86	20.32	10.16	7.62
20	25.40	22.86	10.16	7.62
24	30.48	27.94	10.16	7.62
28	35.56	33.02	10.16	7.62
24	30.48	27.94	17.78	15.24
28	35.56	33.02	17.78	15.24
32	40.62	38.10	17.78	15.24
40	50.80	48.26	17.78	15.24

Ordering Information

Series No.

D61003

No. of
Contacts

24

06 20
08 24
14 28
16 32
18 40

Width

N

N: 7.62 mm (06-24P)
W: 15.24 mm (24-40P)

Dip spacing

1

Side Definition
1: 7.62/300"
2: 10.16/400"
3: 15.24/600"
4: 22.86/900"

Contact Plating

F1

F1: Gold Flash
(Please contact us for
other plating thickness)