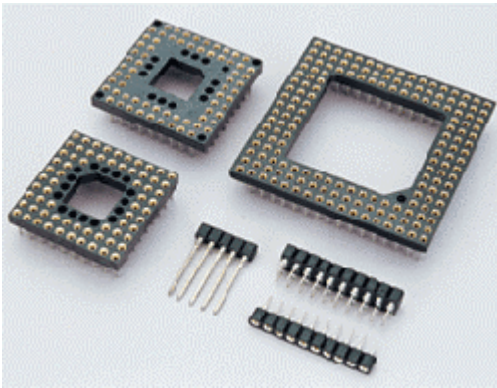


DS1007 SERIES



MATERIAL

Insulator: Thermoplastic {UL 94V-0}

Contact: Copper Alloy

Contact Plated: See ordering information

SPECIFICATION

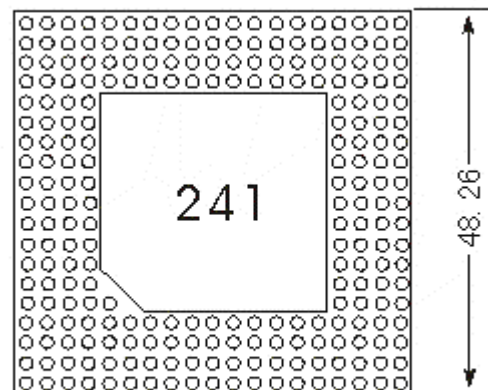
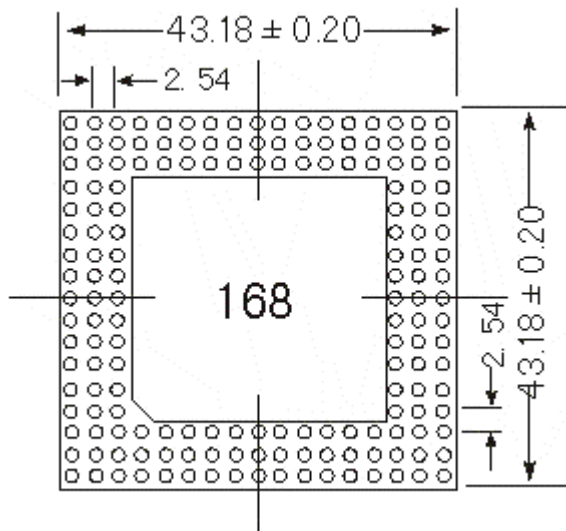
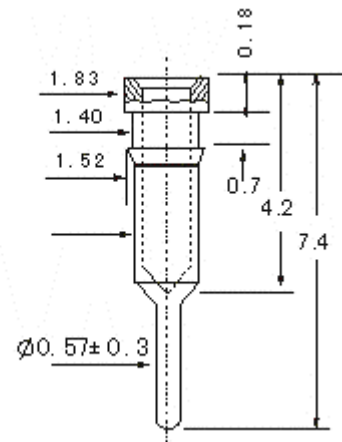
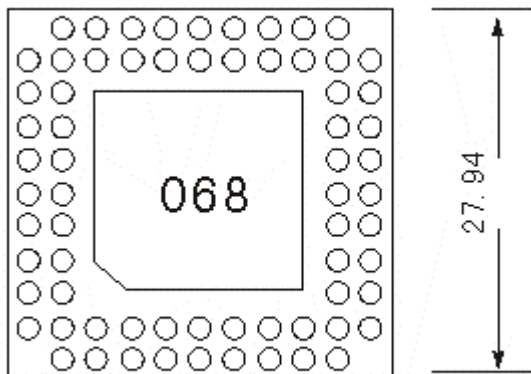
Storage Temperature: -20-70 °C

Operating Temperature: 0-85 °C

Contact Resistance: 20m Ω max.(initial)

Insulation Resistance: 1,000M Ω min

Dielectric Withstanding Voltage: AC1,000V per minute



Ordering Information

Series No.	No. of Contacts	Housing material	Insulator Type	Pin & Clip plated
DS1007	B	S	C	0
	B:11×11 H:17×17 D:13×13 J:19×19 E:14×14 K:20×20 F:15×15 L:21×21	S:PBT	Code=PGA footprint See page 5	Code Clip plated Pin plated 0 Gold flash Tin 200 μ" 1 Gold 10 μ" Tin 200 μ" 2 Gold 30 μ" Tin 200 μ" 3 Tin 200 μ" Tin 200 μ" 4 Gold flash Gold flash 5 Gold 10 μ" Gold flash 6 Gold 30 μ" Gold flash
	Additional types available			

