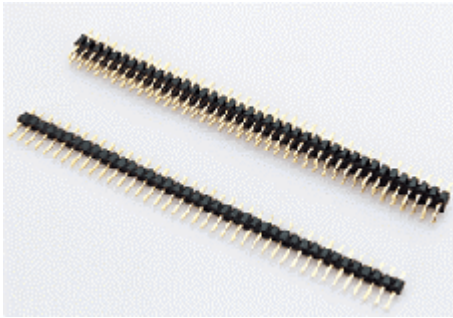


DS1025 SERIES



MATERIAL

Contact Material: Copper Alloy

Contact Plating: Gold/Tin over Nickel

Insulator: Filled Polyester (UL94V-

0)

SPECIFICATION

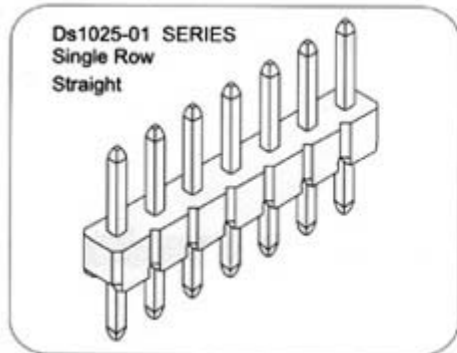
Current Rating: 1.5 Amp

Insulation Resistance: 1000MΩmin

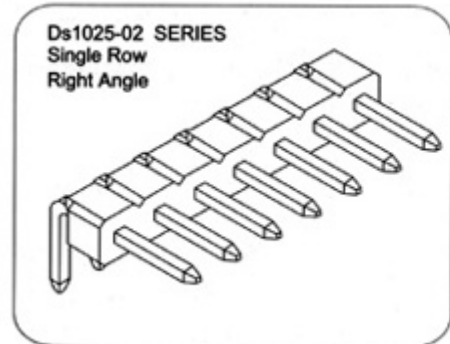
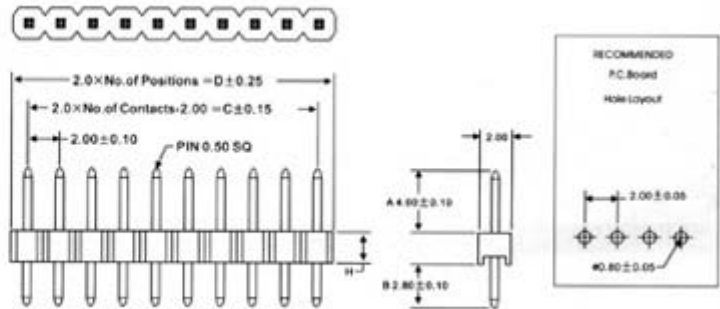
Dielectric With standing: 600VAC

Contact Resistance: 20mΩ Max.

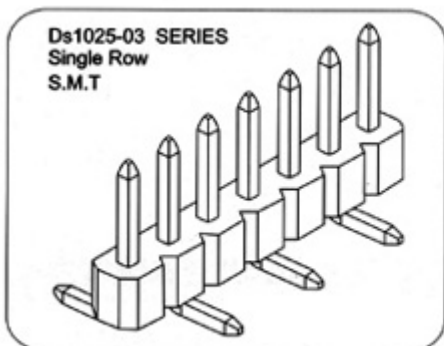
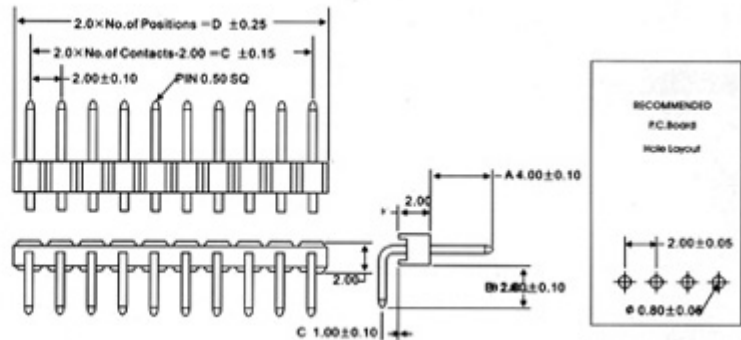
Operating Temperature: -40°C to +105°C



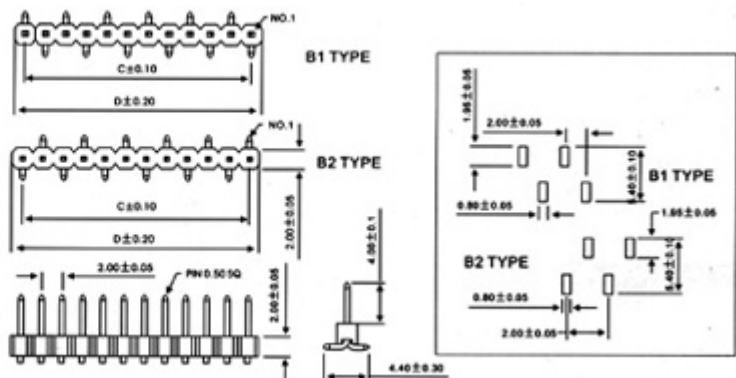
DS1025-01 SERIES
Single Row
Straight

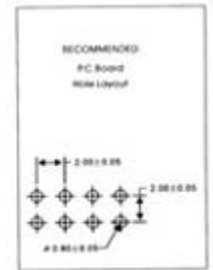
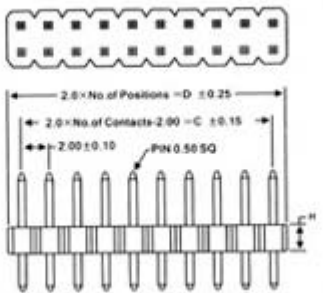
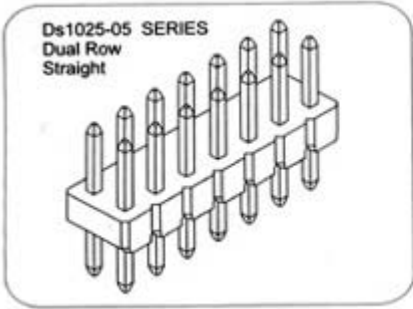
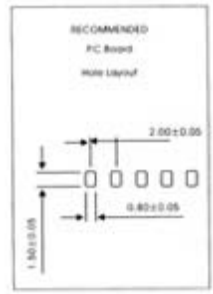
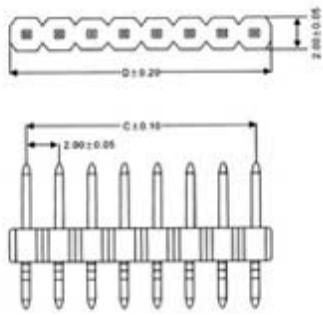
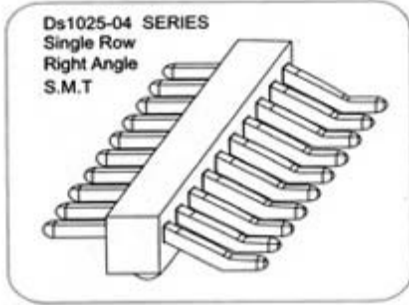


DS1025-02 SERIES
Single Row
Right Angle



DS1025-03 SERIES
Single Row
S.M.T





A/B: Custom Length Available

