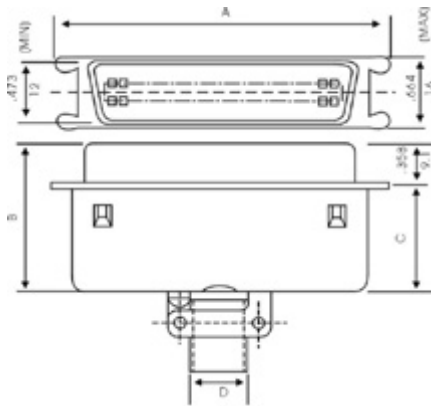


## DS1078 SERIES

### MATERIAL

- ◆ Insulator: PBT+30% Glass Fiber(UL 94V-0)
- ◆ Contact: Phosphor Bronze or Brass
- ◆ Contact Plated: Cold Over Nickel
- ◆ Shell: Steel Zinc Plated or Tin Plated



### SPECIFICATION

- ◆ Current Rating: 5AMP
- ◆ Dielectric Strength: 1000V For 1 minute
- ◆ Insulator Resistance: 1000MΩmin.at DC 500V
- ◆ Temperature: -55°C TO ∞ +105°C.

### FEATURES

- ◆ Standard contact terminations accommodate up to 20AWG standard Wire
- ◆ The keystone shape of the shell assures proper polarization
- ◆ Coupling is accomplished by contact friction although standard locking accessories may be used
- ◆ With standard nylon insulators, operating temperatures range from -65°F to +250°F (-55°C TO +120°C) the limiting factor is the insulator material
- ◆ With standard gold plated contacts

Shell Size	A	B	C	D
140-30360	2.425 61.5	1.669 42.4	0.906 23.0	15.8X11.8
140-30500	3.020 76.7	1.772 45.0	1.000 25.4	19X11.8

### Ordering information

Series No .

**DS1078**

CONTACT TYPE

**30**  
30:MALE

NO.OF.PINS

**24**  
24PIN  
36PIN  
50PIN

CONTACT PLATED

**G**  
G-GOLD FLASH  
S-SELECTIVE GOLD  
05-5 μ " "  
10-10 μ " "  
20-20 μ " "  
30-30 μ " "