

FYLS-3528UWC

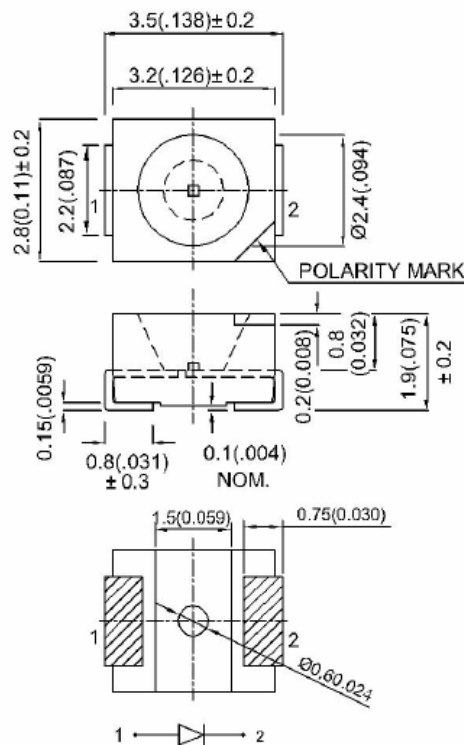
Features:

- Chips can be controlled separately.
- Suitable for all SMT Assembly and solder process.
- Available on tape and Reel
- Package :2000pcs/ Reel

Description.

- The White source color devices are made with Gallium arsenide Phosphide on Gallium Phosphide White light Emitting Diode.

Package Dimensions



Notes:

1. All dimension units are millimeters (Inches)
2. All dimension tolerance ± 0.2 mm unless otherwise noted.
3. An epoxy meniscus may extend about 1.5mm down the leads.

Selection Guide

| Part No. | Dice | lens type | IV(mcd)@40mA | | Viewing Angle |
|--------------|--------------|-----------------|--------------|-----|-------------------|
| | | | Min | Typ | 2θ _{1/2} |
| FYLS-3528UWC | White(InGaN) | Yellow Diffused | 650 | 850 | 120 |

Electrical/Optical Characteristics at Ta=25 °c

| Symbol | Parameter | Device | min. | typ. | units | test conditions |
|--------|--------------------------|--------|------|------|-------|-----------------|
| VF | Forward Voltage | White | 3.0 | 3.2 | V | IF=40mA |
| IR | Reverse Current | White | | 5 | μA | VR=5V |
| X | Chromaticity Coordinates | White | | 0.30 | | |
| Y | | | | 0.31 | | |
| C | capactiance | White | | 100 | PF | VF=0V,f=1MHZ |

Absolute Maximum Ratings At= 25 °c

| Parameter | White | Units |
|-------------------------------|----------------|-------|
| Power dissipation | 114 | mW |
| DC Forward Current | 30 | mA |
| Peak Forward Current(1) | 150 | mA |
| Reverse Voltage | 5 | V |
| Operating/storage Temperature | -40°C to +85°C | |

Note:

1. 1/10 Duty Cycle, 0.1ms Pulse Width.

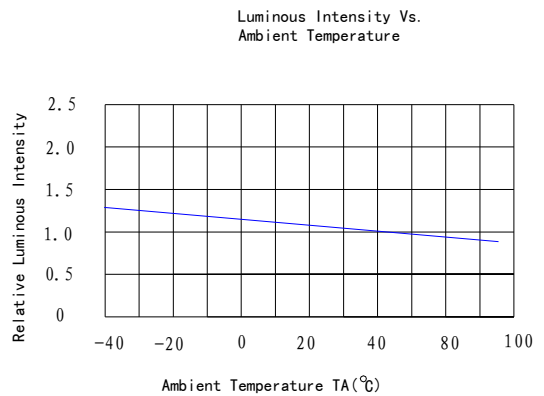
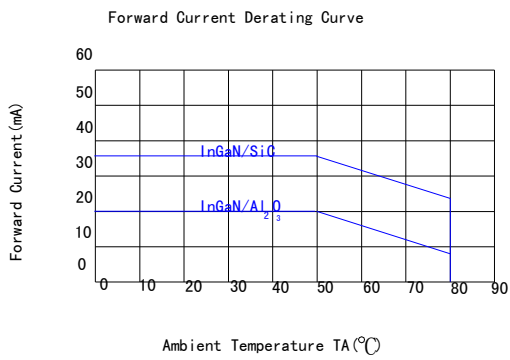
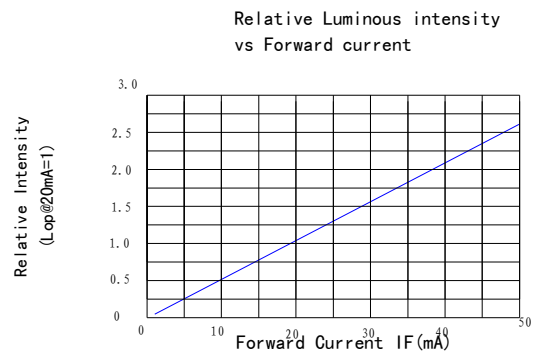
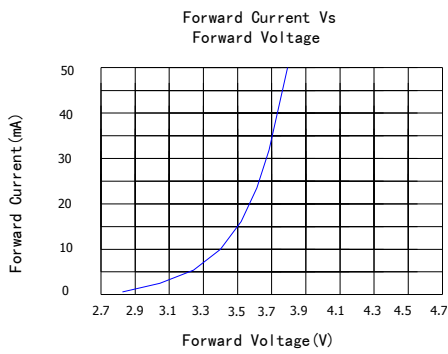
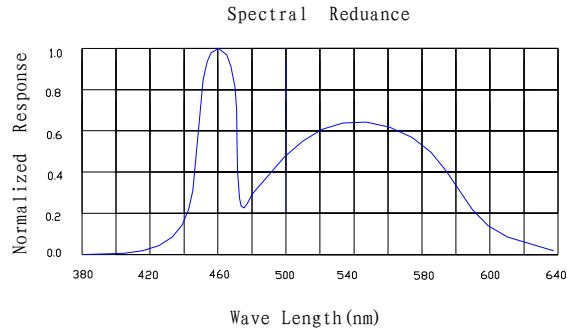
Reliability Test items And Conditions

The reliability of products shall be satisfied with items listed below.

Confidence level:90% LTPD:10%

| NO. | Items | test condition | test Hours/Cycles | sample Size | Ac/Rc |
|-----|---------------------------------|--|-------------------|-------------|-------|
| 1 | Reflow | Temp:240°C ± 5°C Min:5sec | 6Min | 22pcs | 0/1 |
| 2 | Temperature cycle | H: +100°C 15min.~5min L:-40°C ~ 15min | 300 Cycles | 22pcs | 0/1 |
| 3 | Thermal shock | H: +100°C 5min.~10sec. L:-10°C 5min | 300 Cycles | 22pcs | 0/1 |
| 4 | High Temperature Storage | temp:100°C | 1000hrs. | 22pcs | 0/1 |
| 5 | LOW Temperature Storage | temp:-55°C | 1000hrs. | 22pcs | 0/1 |
| 6 | DC Operating Life | IF=20mA | 1000hrs. | 22pcs | 0/1 |
| 7 | High Temperature /High Humidity | 85°C/R,H80% | 1000hrs. | 22pcs | 0/1 |

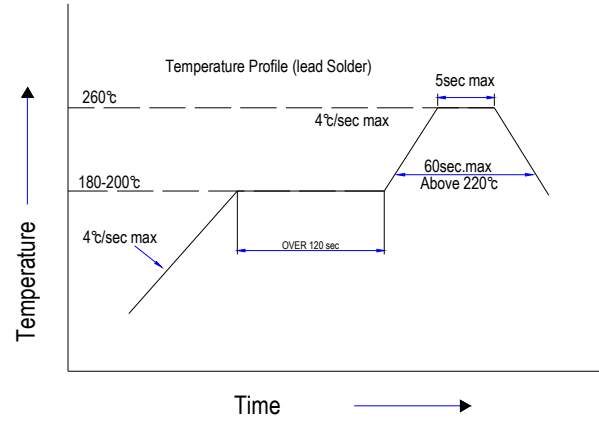
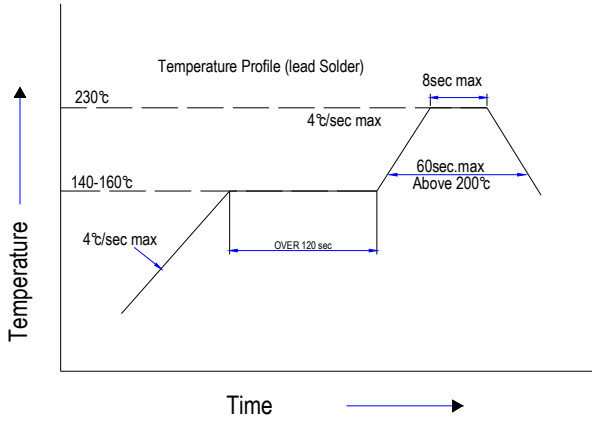
**Typical Electrical Characteristics Curves
(25 °c Ambient Temperature Unless Otherwise Noted)**



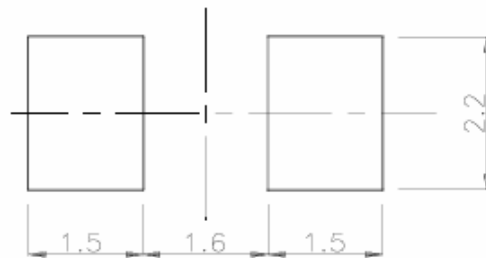
SMT Reflow Soldering Instructions

Number of reflow process shall be less than 2 times and cooling

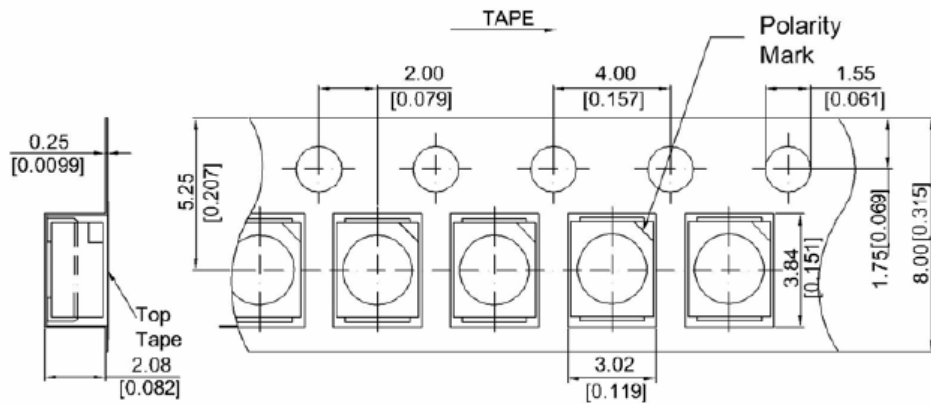
Process to normal temperature is required between first and second soldering process



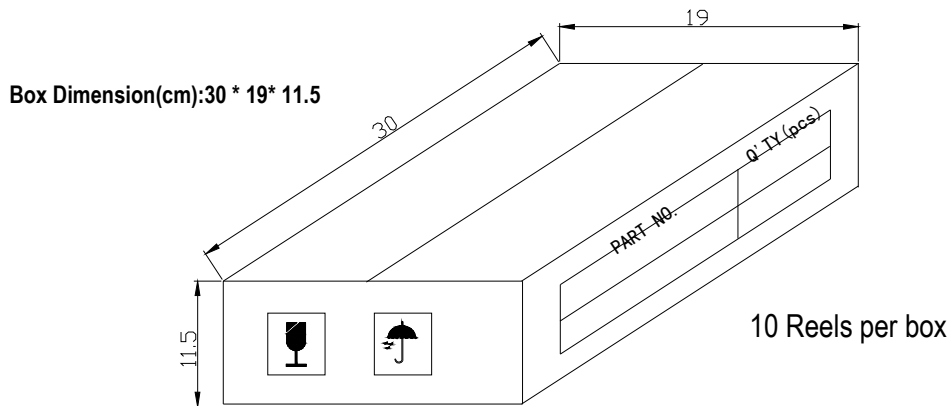
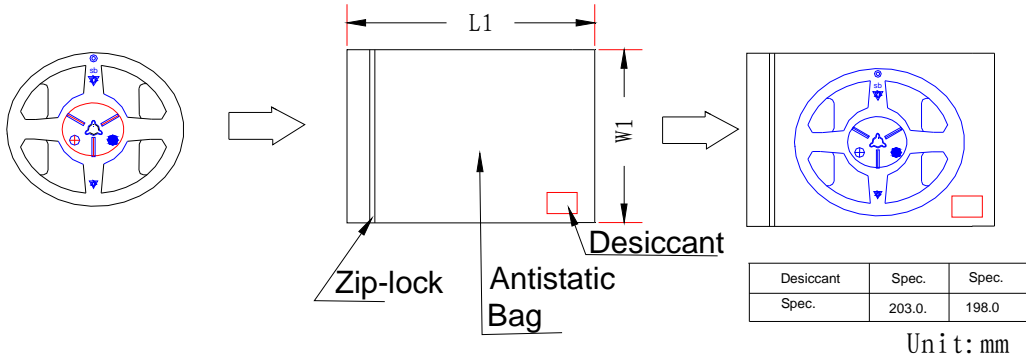
Recommended Soldering Pattern(Units:mm)



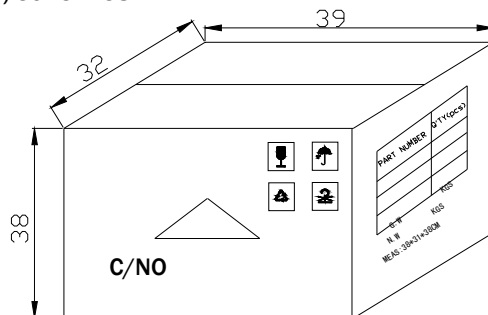
Tape specifications(Units:mm)



◆ **Packing and Shipping Spec.**



CARTON
Dimension(cm): 39 * 32 * 38



6boxes/carton
0603B/0603/0805:
4000pcs*10Reels*6boxes

0805B/1206B/1206/1210/1204:
3000pcs*10Reels*6boxes*

3528:2000pcs*10Reels*6boxes
5050:1000pcs*8Reels*6boxes