

## FYL-5463PGD1C

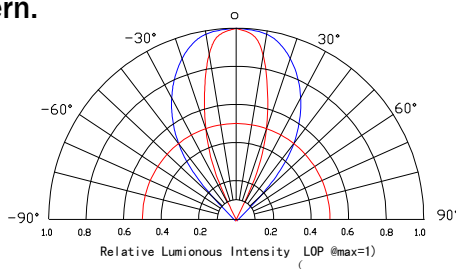
### Features:

- High intensity
- General purpose leads
- RoHs complant.

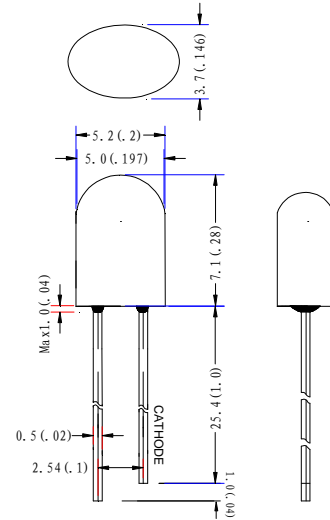
### Descriptions:

- Dice material: InGaN
- Emitting Color: Pure Green
- Device Outline:  $\Phi 5 \times 4$  mm ellipse Type
- Lens Type: Green diffused

### Radiation pattern.



### Package configuration



- ◆ All dimensions are millimeters (inches)
- ◆ Tolerance is  $\pm 0.25\text{mm}(0.010\text{'})$  unless otherwise noted.

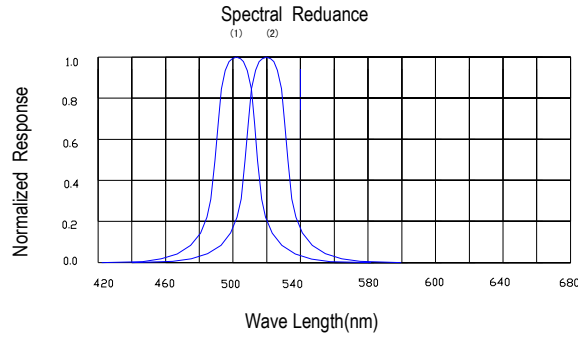
### Absolute maximum ratings( $T_a=25^\circ\text{C}$ )

Parameter	MAX.	Unit
Power Dissipation	70	mW
Peak Forward Current (1/10 Duty Cycle, 0.1ms Pulse Width)	100	mA
Continuous Forward Current	20	mA
Derating Linear From $50^\circ\text{C}$	0.4	mA/ $^\circ\text{C}$
Reverse Voltage	5	V
Electrostatic Discharge (ESD)	150	V
Operating Temperature Range	$-30^\circ\text{C}$ to $+80^\circ\text{C}$	
Storage Temperature Range	$-40^\circ\text{C}$ to $+100^\circ\text{C}$	
Lead Soldering Temperature[4mm(.157") From Body]	260 $^\circ\text{C}$ for 5 Seconds	

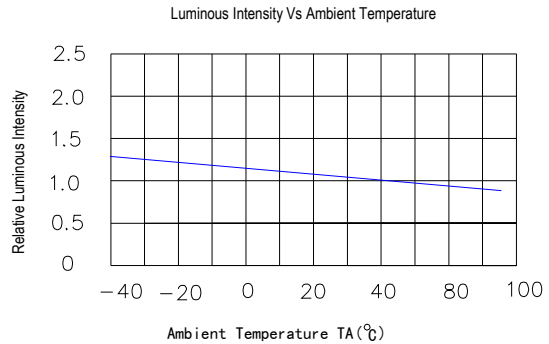
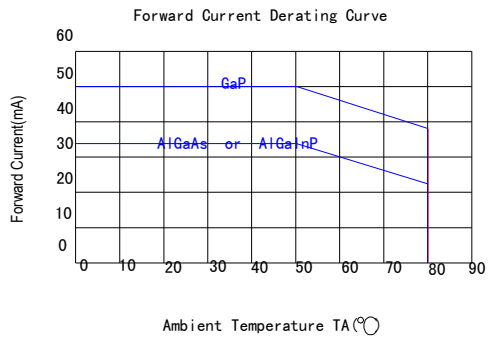
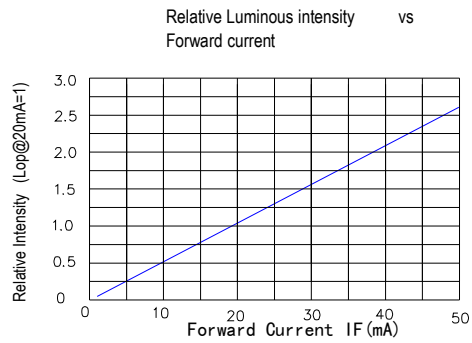
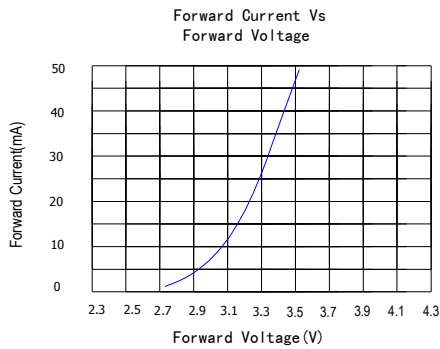
### Electrical and optical characteristics( $T_a=25^\circ\text{C}$ )

Parameter	Symbol	Min.	Typ.	Max.	Unit	Test Condition	
Luminous Intensity	$I_v$	-	1700	-	mcd	$I_F=20\text{mA}$	
Viewing Angle	$2\theta_{1/2}$	X	70	80	90		Deg
		y	35	40	45		
Peak Emission	$\lambda_p$	515	520	525	nm		
Dominant Wavelength	$\lambda_d$	520	525	530	nm		
Spectral Line Half-Width	$\Delta\lambda$	30	35	40	nm		
Forward Voltage	$V_F$	2.8	3.2	3.6	V		
Reverse Current	$I_R$			50	$\mu\text{A}$	$V_R=5\text{V}$	

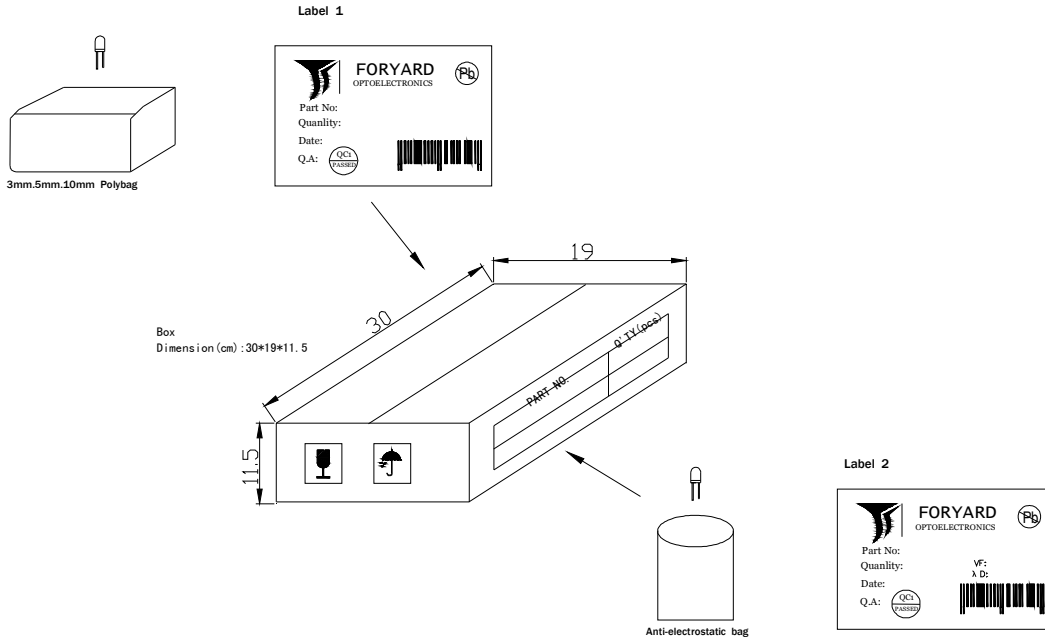
## Typical Electrical Characteristics Curves (25 °c Ambient Temperature Unless Otherwise Noted)



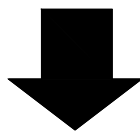
(1)InGaN peak@505nm /bluish Green  
(2)InGaN peak@520nm /pure Green



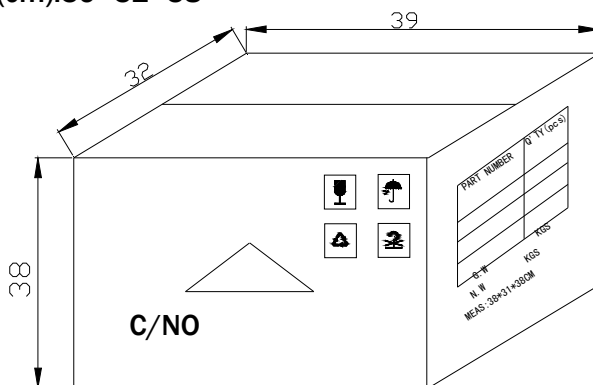
## LAMP PACKING.



DEVICE	QTY/polybag(pcs)	Polybag/box A	Fig
5mm(T-1 3/4)	1000	8 bags	Label 1
3mm(T-1 )	1000	10 bags	Label 1
10mm(T-1)	250	8 bags	Label 1
Blue/Green/White	500pcs	8 bags	Label 2



**CARTON**  
Dimension(cm):39\*32\*38



**6 Boxes/Carton**  
**5mm:48,000pcs**  
**3mm:60,000pcs**  
**10mm:12,000pcs**  
**Blue/Pure Green/bluish Green**  
**/White:24,000pcs**