

## FYL-25A6NURC1B-B

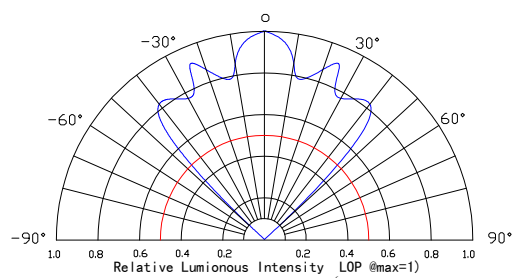
### Features:

- High intensity
- General purpose leads
- RoHs complant.

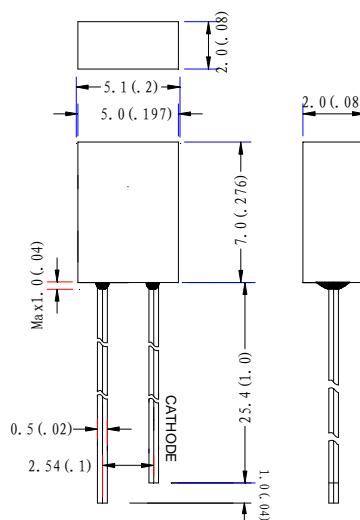
### Descriptions:

- Dice material: AlGaInP
- Emitting Color: Super bright Red
- Device Outline: 2\*5mm square Type.
- Lens Type: water clear.

### Radiation pattern.



### Package configuration



- ◆ All dimensions are millimeters (inches)
- ◆ Tolerance is  $\pm 0.25\text{mm}(.010\text{'})$  unless otherwise noted.

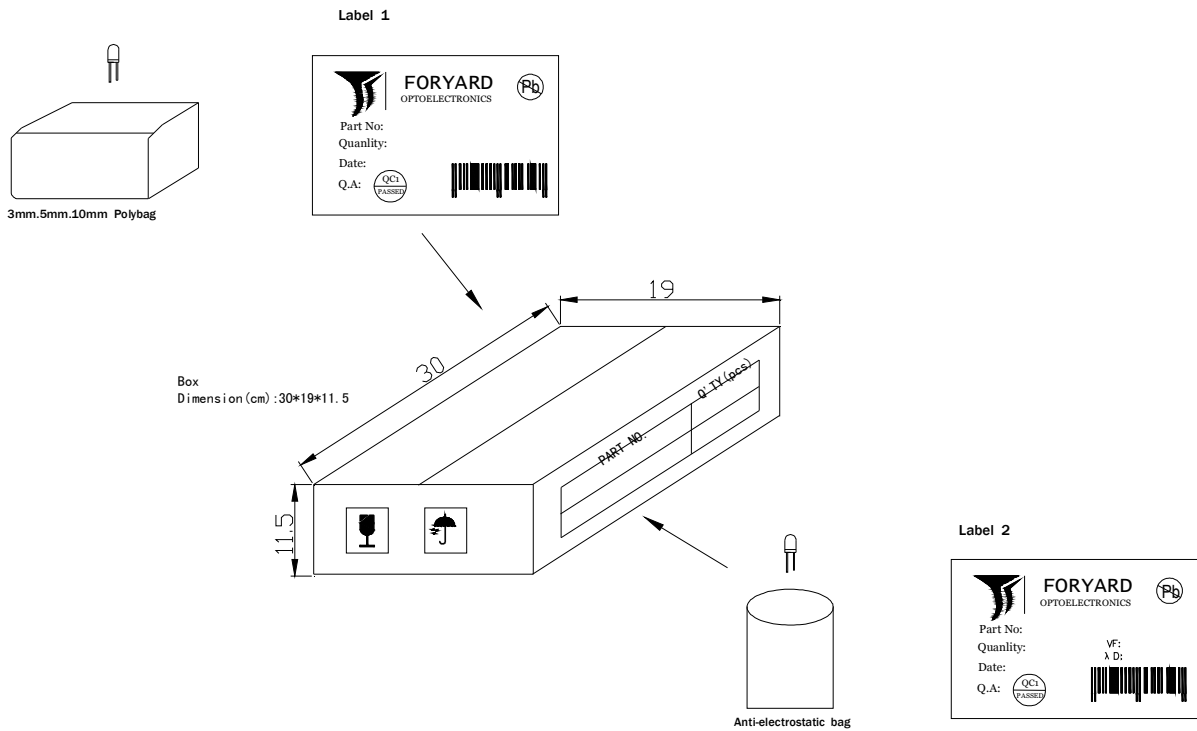
### Absolute maximum ratings( $T_a=25\text{ }^\circ\text{C}$ )

| Parameter   | MAX.  | Unit                 |
|---|---|----------------------|
| Power Dissipation                                   | 40  | mW                   |
| Peak Forward Current (1/10 Duty Cycle, 0.1ms Pulse) | 100   | mA                   |
| Continuous Forward Current                          | 20  | mA                   |
| Derating Linear From $50\text{ }^\circ\text{C}$     | 0.4   | mA/ $^\circ\text{C}$ |
| Reverse Voltage                                     | 5   | V                    |
| Operating Temperature Range                         | $-30\text{ }^\circ\text{C}$ to $+80\text{ }^\circ\text{C}$  |                      |
| Storage Temperature Range                           | $-40\text{ }^\circ\text{C}$ to $+100\text{ }^\circ\text{C}$ |                      |
| Lead Soldering Temperature[4mm(.157") From Body]    | 260 $^\circ\text{C}$ for 5 Seconds                          |                      |

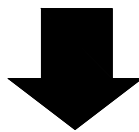
### Electrical and optical characteristics( $T_a=25\text{ }^\circ\text{C}$ )

| Parameter                | Symbol          | Min. | Typ.  | Max. | Unit          | Test Condition |
|--------------------------|-----------------|------|-------|------|---------------|----------------|
| Viewing Angle            | 2 $\theta$ 1/2  | -    | 90    | -    | Deg           | IF=20mA        |
| Peak Emission            | $\lambda_p$     | 625  | 630   | 635  | nm            |                |
| Dominant Wavelength      | $\lambda_d$     | 620  | 625   | 630  | nm            |                |
| Spectral Line Half-Width | $\Delta\lambda$ | 10   | 15    | 20   | nm            |                |
| Blinking Frequency       | Fb k            | 2.0  | 2.4   | 2.8  | HZ            |                |
| Forward Voltage          | VF              | -    | 4     | -    | V             |                |
| Recommend Forward        | ---             | -    | 10-20 | -    | mA            |                |
| Reverse Current          | IR              |      |       | 50   | $\mu\text{A}$ | VR=5V          |

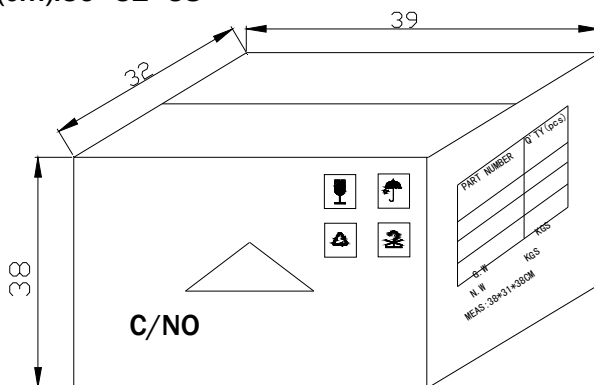
## LAMP PACKING.



| DEVICE           | QTY/polybag(pcs) | Polybag/box A | Fig     |
|------------------|------------------|---------------|---------|
| 5mm(T-1 3/4)     | 1000             | 8 bags        | Label 1 |
| 3mm(T-1 )        | 1000             | 10 bags       | Label 1 |
| 10mm(T-1)        | 250              | 8 bags        | Label 1 |
| Blue/Green/White | 500pcs           | 8 bags        | Label 2 |



**CARTON**  
Dimension(cm):39\*32\*38



**6 Boxes/Carton**  
**5mm:48,000pcs**  
**3mm:60,000pcs**  
**10mm:12,000pcs**  
**Blue/Pure Green/bluish Green**  
**/White:24,000pcs**