

## FYL-25A6UBC1B- B

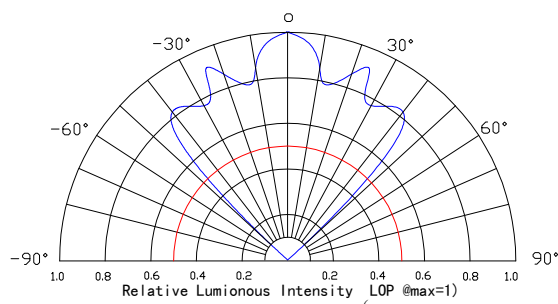
### Features:

- High intensity
- General purpose leads
- RoHs complant.

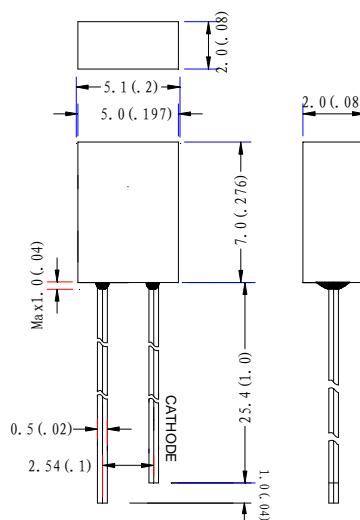
### Descriptions:

- Dice material: AlGaInP
- Emitting Color: Super bright Blue.
- Device Outline: Φ5mm Round Type.
- Lens Type: water clear.

### Radiation pattern.



### Package configuration



- ◆ All dimensions are millimeters (inches)
- ◆ Tolerance is  $\pm 0.25\text{mm}(.010\text{'})$  unless otherwise noted.

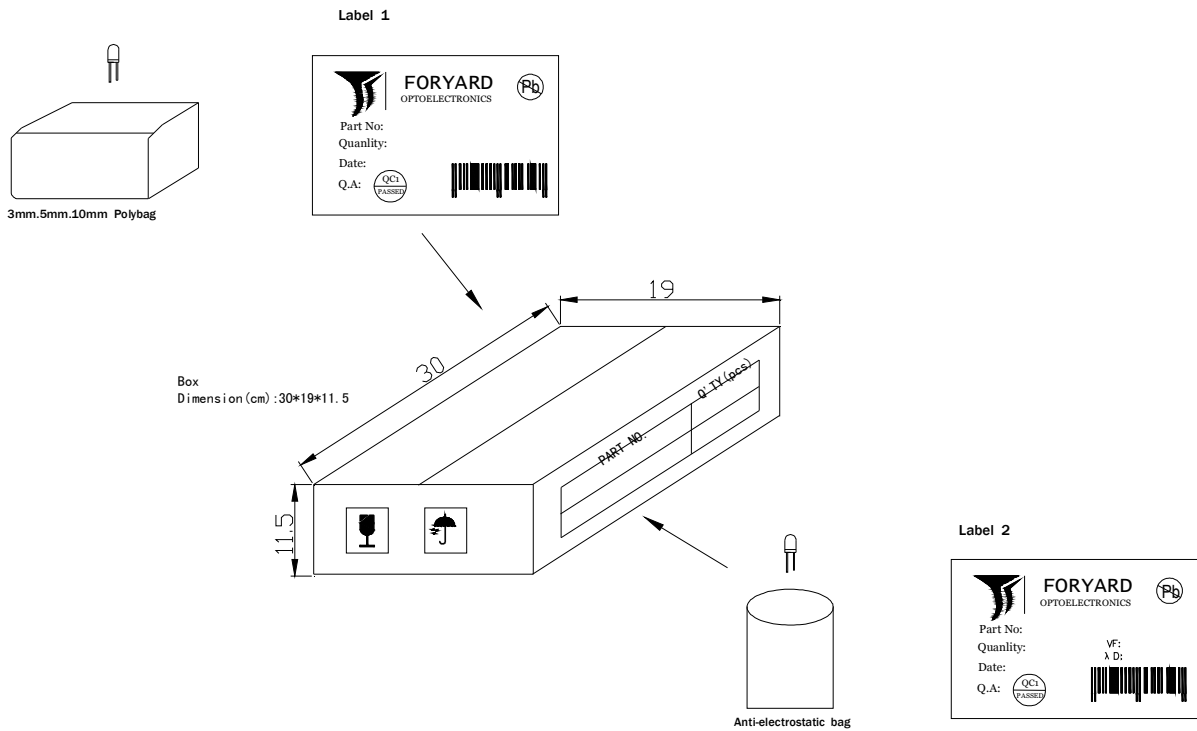
### Absolute maximum ratings( $T_a=25\text{ }^\circ\text{C}$ )

Parameter	MAX.	Unit
Power Dissipation	40	mW
Peak Forward Current (1/10 Duty Cycle, 0.1ms Pulse)	100	mA
Continuous Forward Current	20	mA
Derating Linear From 50°C	0.4	mA/°C
Reverse Voltage	5	V
Operating Temperature Range	-30°C to +80°C	
Storage Temperature Range	-40°C to +100°C	
Lead Soldering Temperature[4mm(.157") From Body]	260°C for 5 Seconds	

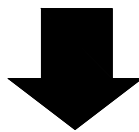
### Electrical and optical characteristics( $T_a=25\text{ }^\circ\text{C}$ )

Parameter	Symbol	Min.	Typ.	Max.	Unit	Test Condition
Viewing Angle	2θ <sub>1/2</sub>	-	90	-	Deg	IF=20mA
Peak Emission	λ <sub>p</sub>	465	470	475	nm	
Dominant Wavelength	λ <sub>d</sub>	463	468	473	nm	
Spectral Line Half-Width	Δλ	10	15	20	nm	
Blinking Frequency	F <sub>b k</sub>	2.0	2.4	2.8	HZ	
Forward Voltage	V <sub>F</sub>	-	4	-	V	
Recommend Forward	---	-	10-20	-	mA	VR=5V
Reverse Current	I <sub>R</sub>			50	μA	

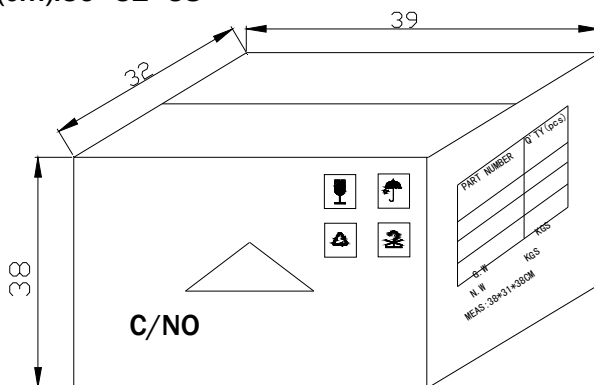
## LAMP PACKING.



DEVICE	QTY/polybag(pcs)	Polybag/box A	Fig
5mm(T-1 3/4)	1000	8 bags	Label 1
3mm(T-1 )	1000	10 bags	Label 1
10mm(T-1)	250	8 bags	Label 1
Blue/Green/White	500pcs	8 bags	Label 2



**CARTON**  
Dimension(cm):39\*32\*38



**6 Boxes/Carton**  
**5mm:48,000pcs**  
**3mm:60,000pcs**  
**10mm:12,000pcs**  
**Blue/Pure Green/bluish Green**  
**/White:24,000pcs**